



SPARE PARTS PORTAL 2.0

30/01/2026

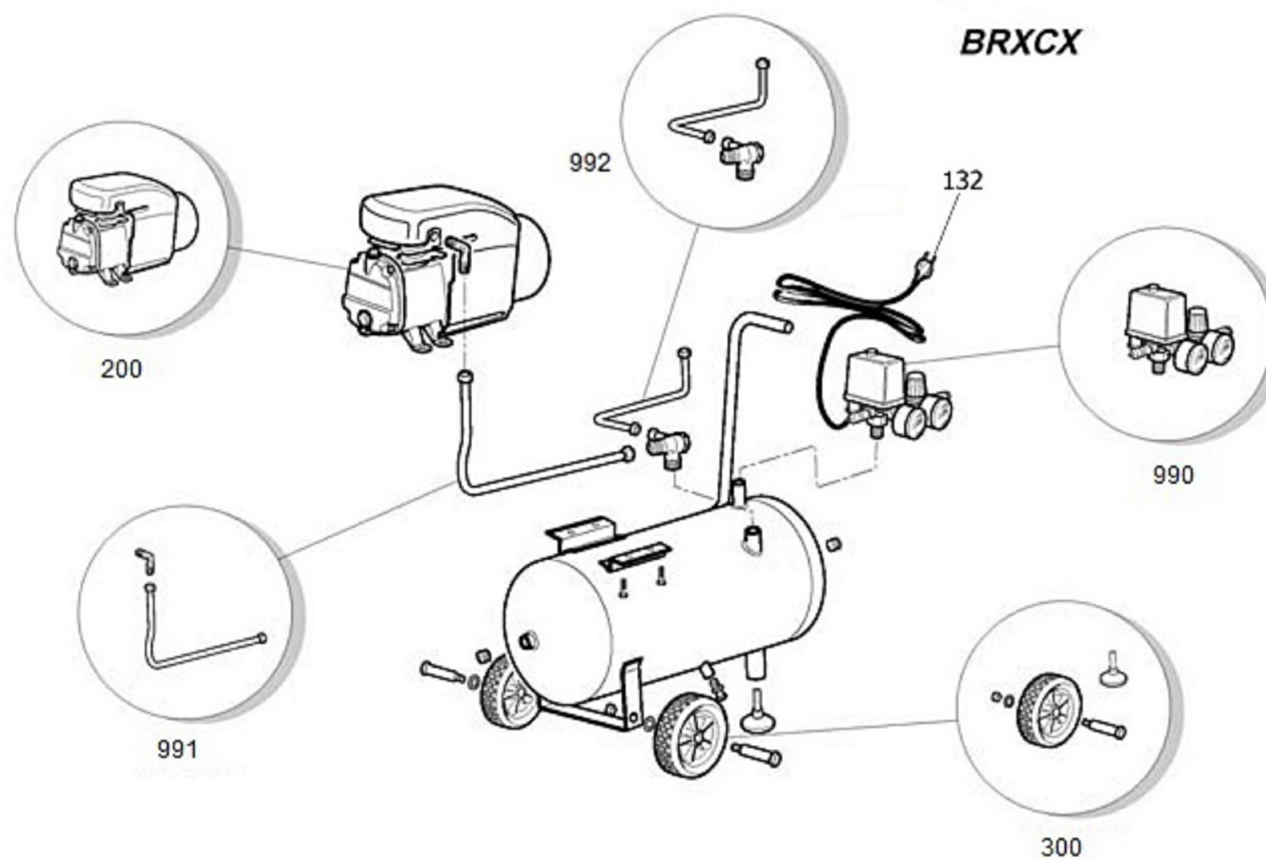
RHCC404MLL533 MX POP AIR 24-2 L
s.n. RHCC404MLL533

□

30/01/2026

RHCC404MLL533 MX POP AIR 24-2 L
s.n. **RHCC404MLL533**

MX POP AIR 24-2 L



30/01/2026

RHCC404MLL533 MX POP AIR 24-2 L
s.n. RHCC404MLL533

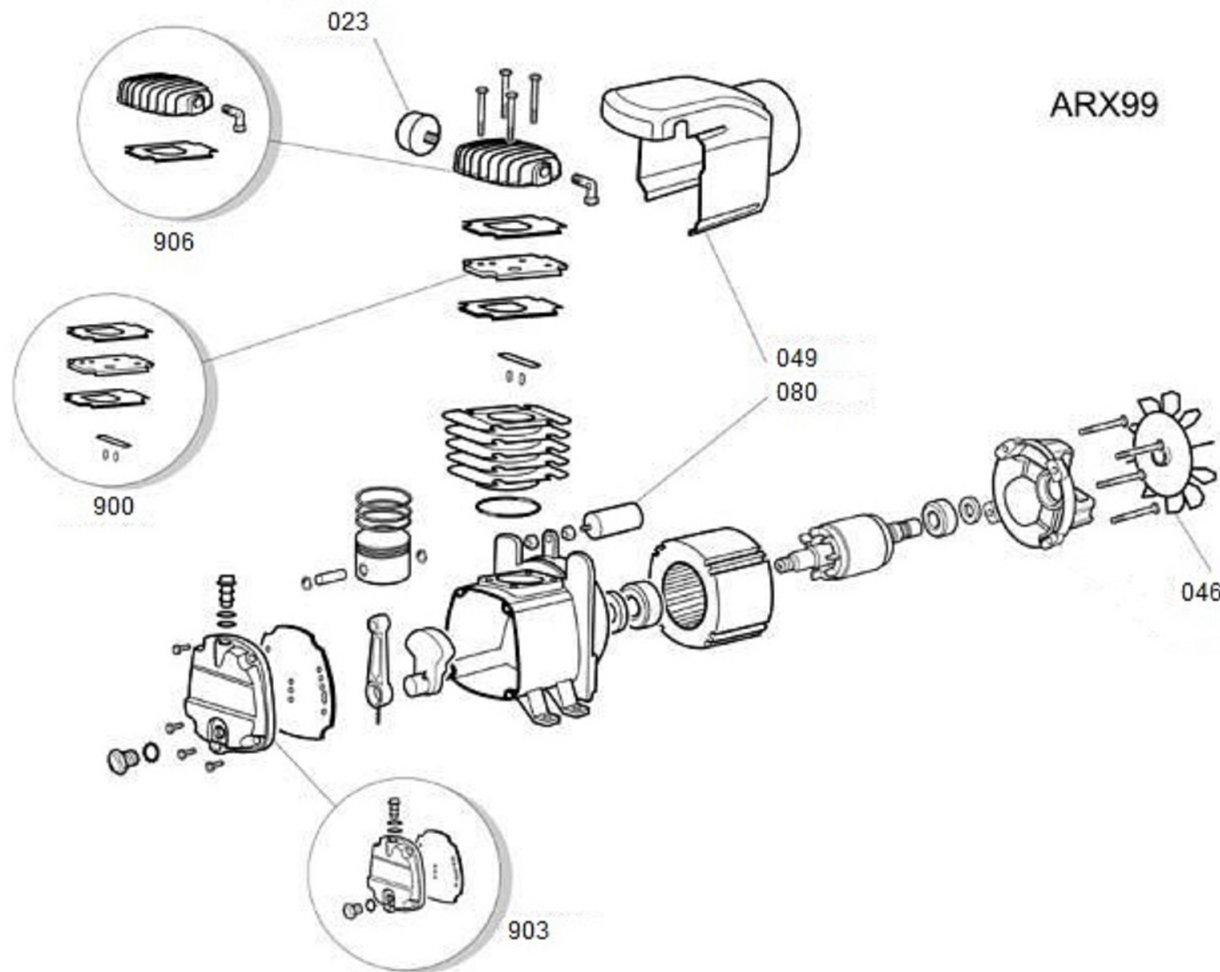
MX POP AIR 24-2 L

Pos.	Code	Description	Qty
132	9065378	POWER CABLE	1
200	9418197	PUMP HC2 23050M MLL #131 (1)	1
300	9430163	KIT WHEELS HC2/24 #131	1
990	9430988	MPK INSTRUM.24-50L HC MLL #131	1
991	9430165	KIT SENDING PIPE/ELBOW HC2#131	1
992	9430166	KIT NON RET.VALVE/TUBE HC2#131	1

30/01/2026

RHCC404MLL533 MX POP AIR 24-2 L
s.n. **RHCC404MLL533**

PUMP HC2 23050M MLL #131 (1)



30/01/2026

RHCC404MLL533 MX POP AIR 24-2 L
s.n. RHCC404MLL533

PUMP HC2 23050M MLL #131 (1)

Pos.	Code	Description	Qty
23	9430943	MPC AIR FILTER HC2 #131	1
46	9430938	MPC MOTOR FAN HC2 #131	1
49	9430987	MPC PLASTIC COVER HC2 MLL #131	1
80	9430940	MPC CAPACITOR 30MF HC2 #131	1
900	9430942	MPK VALVE PLATE KIT HC2 #131	1
903	9430941	MPK CRANKCASE COVER HC2 #131	1
906	9430937	MPK HEAD HC2 #131	1



FNA S.p.A.

FSN Original Spare Parts & After-Sales Service

Via Einaudi, 6 - 10070 Robassomero (TO) - Italy

Via Toscana, 21 - 40069 Zola Predosa (BO) - Italy

Tel.: +39 051 6168.111- fsn@fnacompressors.com



SPARE PARTS PORTAL 2.0