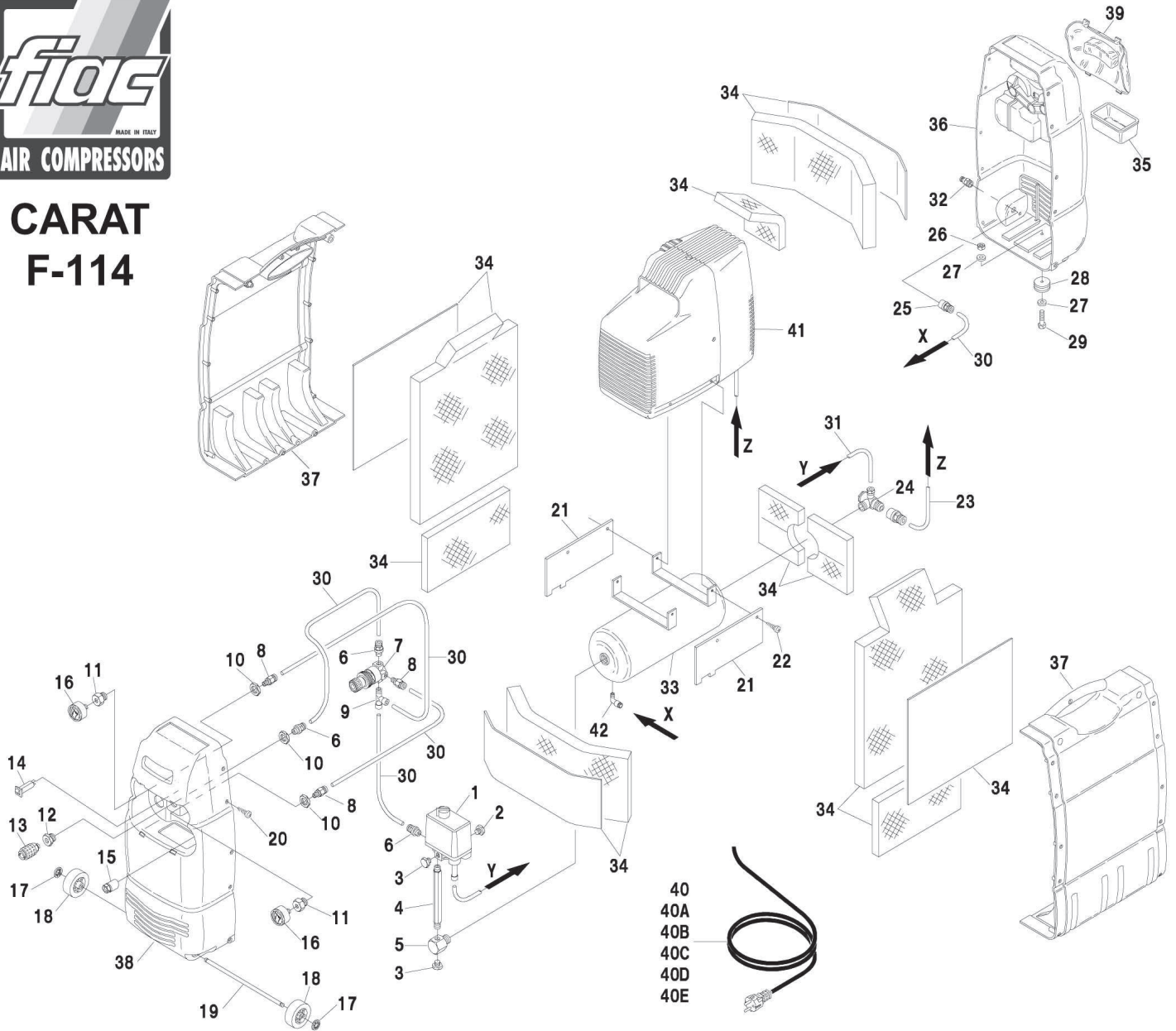


MEDICAL COMPRESSOR CARAT 114



CARAT F-114



MEDICAL COMPRESSOR CARAT 114



Code	Description	Quantity	Callout
7250360000	Pressure switch	1	1
7196070000	Valve for maximum pressure	1	2
7090090000	Plug	2	3
7087910000	Connection	1	4
7084590000	Support	1	5
7084220000	Joint	3	6
7100120000	Pressure reducer	1	7
7084270000	Joint	3	8
6006250614	Joint	1	9
7023020000	Blocking nut	3	10
7082720000	Joint	2	11
7082730000	Joint	1	12
7130570000	Tap	1	13
7410270000	Overload protection	1	14
7501050000	Stretch eliminator	1	15
7110240000	Pressure gauge	2	16
7042040000	Seeger	2	17
7260010000	Wheel	2	18
7018340000	Pivot	1	19
7012570000	8 Screw	2	20
7154080000	Support	2	21
7012290000	Screw	4	22
7234990000	Infeed tube	1	23
7190200000	Non return valve	1	24
7083990000	Joint	1	25
7020200000	Nut	1	26
7030190000	Washer	3	27
7360010000	Rubber	1	28
7011050000	Screw	1	29
7230040000	Rilsan hose	1	30
7230010000	Rilsan hose	1	31
7130090000	Discharge tap	1	32
7474330000	Tank	1	33
7213440000	Sound proof kit	1	34
7154100000	Tub	1	35
7154190000	Plastic coover	1	36
7154170000	Plastic coover	2	37
7154180000	Plastic coover	1	38
7154060000	Door	1	39
7329070000	European Infeed cable	1	40
7328600000	Swiss Infeed cable	1	40A
7328620000	USA Infeed cable	1	40B
7329000000	Australian Infeed cable	1	40C
7329020000	English Infeed cable	1	40D
7329140000	Japanese Infeed cable	1	40E
3015140000	Pump unit F114 (HP 1)	1	41
7080780000	Joint	1	42